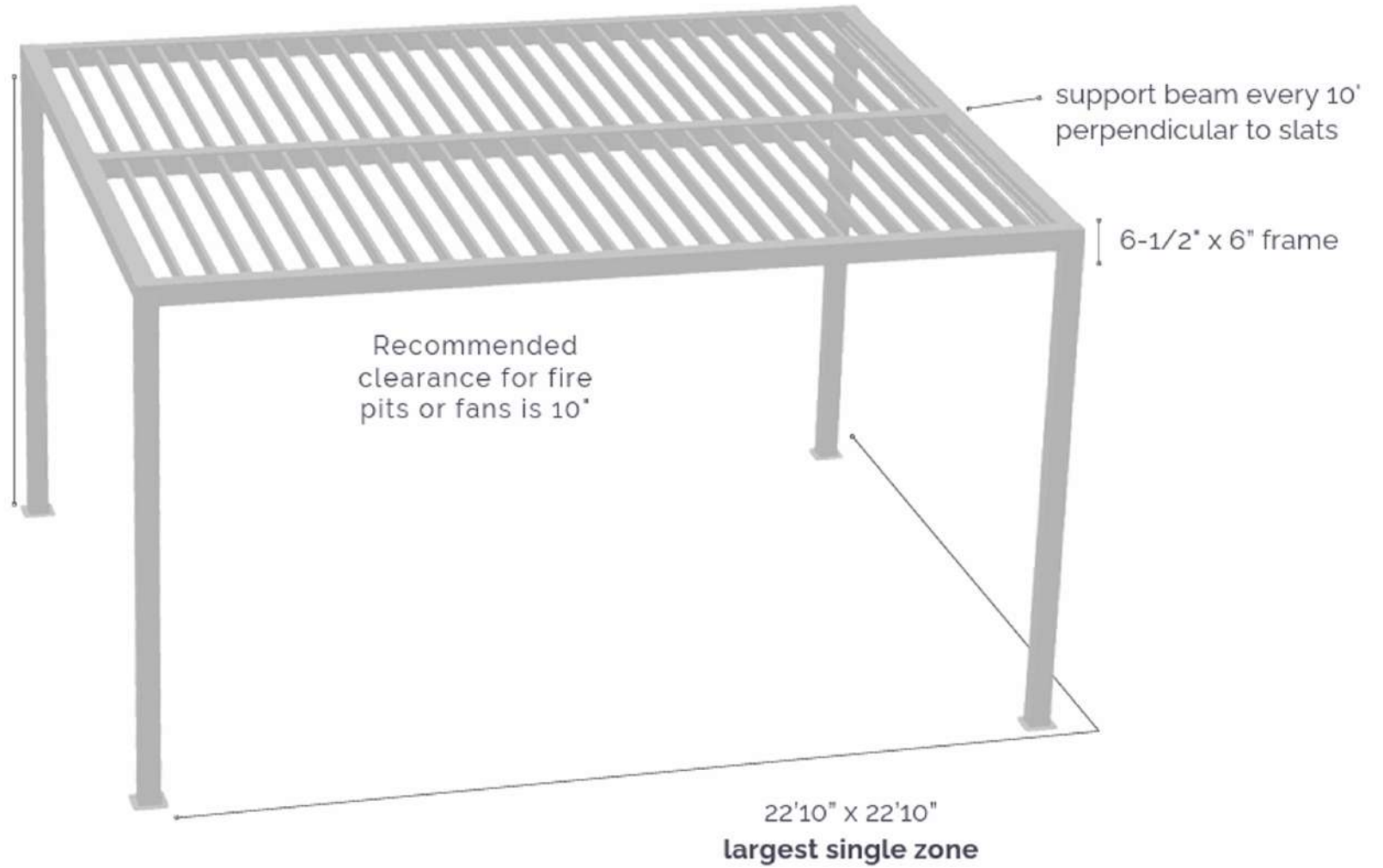




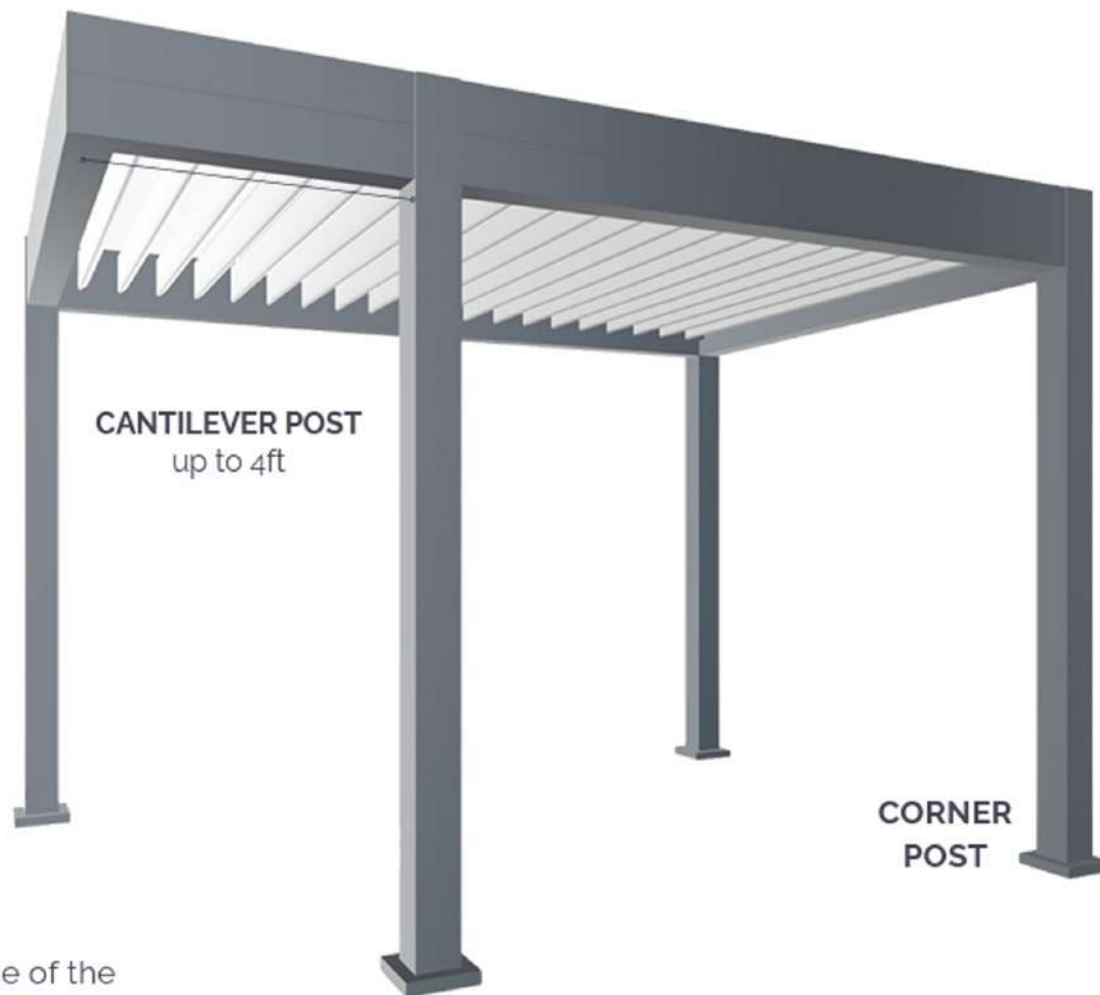
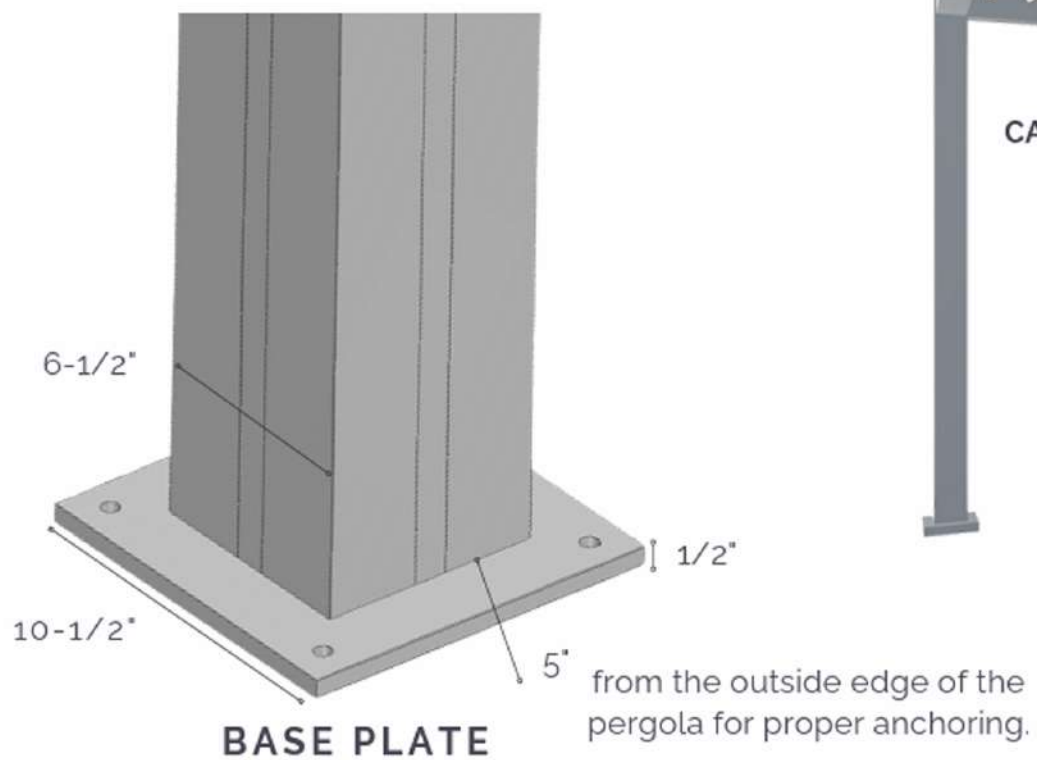


01. TECHNICAL SPECS
02. WARRANTY
03. COLOR CHART
04. LIGHTING
05. SENSOR

TECHNICAL SPECS

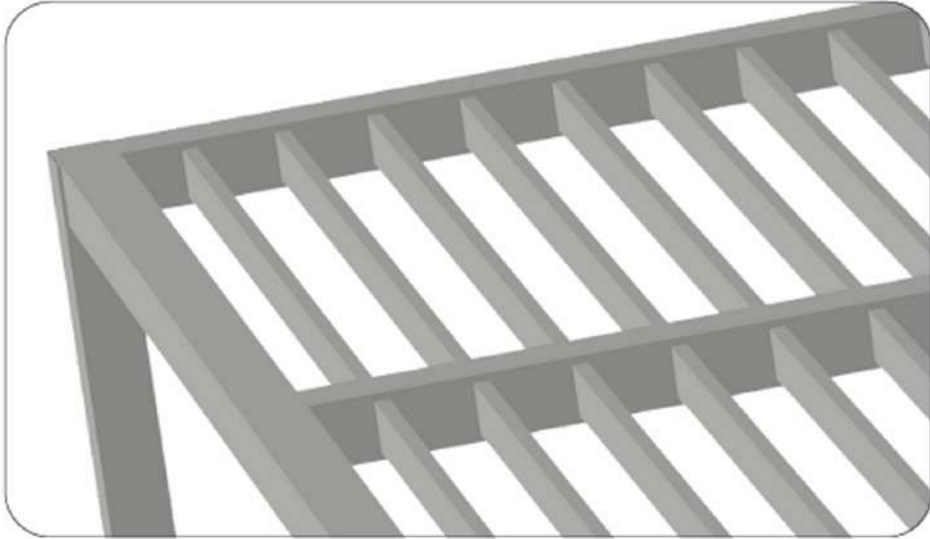


TECHNICAL SPECS

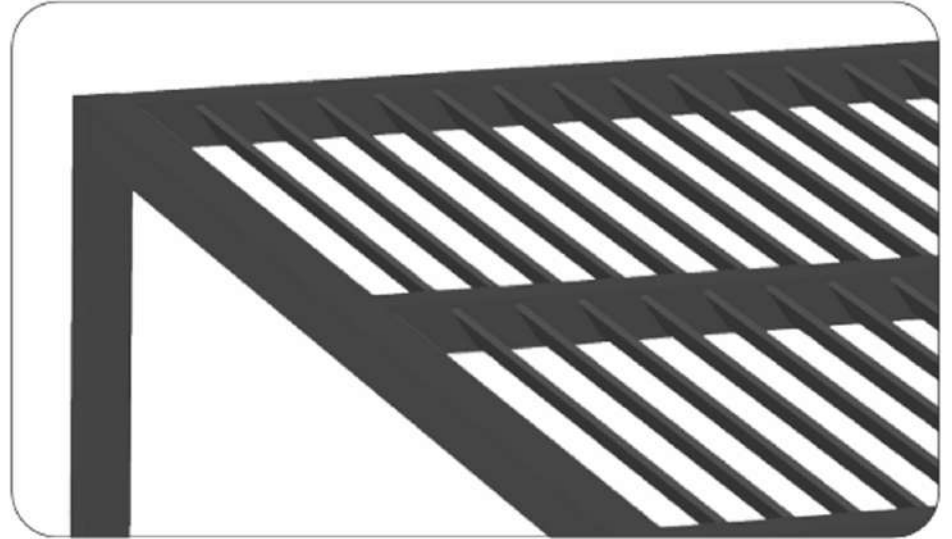


D

1 TECHNICAL SPECS



VERTICAL SLAT
5" x 1.5"



ANGLED SLAT
5.5" x 1" at a 55° angle

1 TECHNICAL SPECS

→ weight is in pounds,
frame only
→ add 23 pounds per post

LENGTH	WIDTH																			
ft	4'	5'	6'	7'	8'	9'	10'	11'	12'	13'	14'	15'	16'	17'	18'	19'	20'	21'	22'	22'10"
4'	143	143	140	181	165	176	199	254	277	277	306	328	328	351	351	374	397	400	400	426
5'	143	143	140	181	175	187	212	267	292	292	322	348	348	371	371	399	422	416	416	455
6'	132	147	141	185	184	196	256	269	299	299	331	367	367	390	390	427	450	441	441	494
7'	181	181	188	234	229	240	272	349	381	381	415	454	454	477	477	520	542	541	541	592
8'	158	173	178	226	226	238	275	330	366	366	402	451	451	474	474	525	548	545	545	609
9'	170	185	189	237	248	260	299	365	404	404	441	494	494	517	517	573	596	583	583	662
10'	196	211	213	264	280	291	335	412	456	456	495	557	557	580	580	646	668	654	654	746
11'	196	211	226	279	290	302	348	425	471	471	512	578	578	601	601	671	693	686	686	777
12'	222	237	249	305	322	333	384	428	479	479	522	596	596	619	619	699	722	712	712	816
13'	222	237	249	305	332	343	397	440	494	494	538	617	617	640	640	724	747	772	772	891
14'	245	275	285	343	365	377	432	487	543	543	588	672	672	694	694	784	806	850	850	967
15'	260	275	297	357	386	397	458	512	573	573	620	713	713	736	736	834	857	898	898	1038
16'	260	290	297	357	396	407	470	525	588	588	636	733	733	756	756	859	882	914	914	1059
17'	283	313	333	395	439	451	519	584	652	652	703	808	808	831	831	944	966	1008	1008	1166
18'	298	328	346	410	450	461	531	597	667	667	719	829	829	852	852	969	992	1040	1040	1197
19'	298	328	358	425	470	482	556	622	696	696	751	870	870	893	893	1019	1042	1088	1088	1258
20'	320	365	381	448	503	515	591	668	745	745	801	924	924	947	947	1078	1100	1149	1149	1333
21'	336	365	393	463	523	535	617	693	775	775	833	965	965	988	988	1128	1151	1197	1197	1395
22'	336	380	406	478	534	545	629	706	790	790	849	985	985	1008	1008	1154	1176	1229	1229	1425
22'10"	350	380	418	493	554	566	654	731	819	819	881	1026	1026	1049	1049	1204	1226	1277	1277	1487

02 WARRANTY

15 years: standard color powdercoat
10 years: custom color powdercoat



3 years: electrical & electronic components

15 years: aluminum structural components

3

COLOR CHART

WHITE MAT SMOOTH

SIGNAL WHITE - RAL 9003 AKZONOBEL
YA279QF CLASS 2 / AAMA 2604
3 to 4 weeks lead time

BRONZE / DARK GRAY TEXTURED

GRIS SABLE - RAL 2900 AKZONOBEL
Y2348QF CLASS 2 / AAMA 2604
3 to 4 weeks lead time

BLACK TEXTURED

EQUINOX BLACK - AKZONOBEL
YN325QF CLASS 2 / AAMA 2604
3 to 4 weeks lead time

CUSTOM COLOR

AKZONOBEL COLOR CHART
5 to 12 weeks lead time



3

COLOR CHART

WOOD GRAIN FINISH

NATURA

TEAK

WALNUT BROWN

BURLWOOD

CINNAMON RED

MAHOGANY RED

DARK WALNUT

HONEY PINE

BLACK WENGE

ENGLISH OAK

HAZELNUT BROWN

CHESNUT CHERRY

5 to 7 weeks lead time



4 LIGHTING



RECESSED LIGHTS

Support Beam - Frame
DIRECT LIGHTING 4W - 24V - 320 lm

Recommended - 2.5ft intervals, 1ft from frame
Beware of the potential strobing effect when a fan is on.



LED RAMPS

Support Beam - Frame - Vertical Slats
DIRECT LIGHTING 12W - 24V - 630 lm

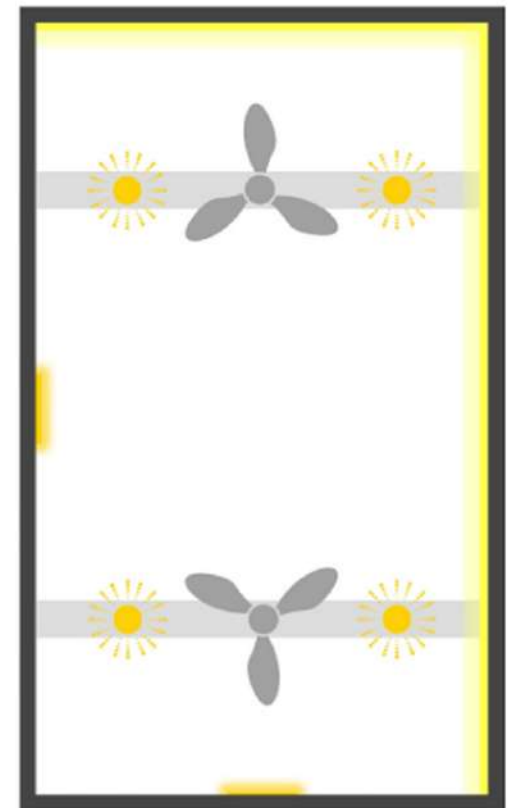
Recommended - 3ft intervals, 1ft from frame

4 LIGHTING

	LIGHT CONTROL BOX (OPTIONAL) 20 AMP NEEDED OUTLET	
# OF CHANNELS	5 channels	
LIGHTING OPTIONS	Recessed Light	LED Ramp
MAX PER CHANNEL	6	4
MAX PER CONTROL BOX	30	20

Remember that you can mix and match the lights across different channels to create various configurations within the limits provided.

2700K & dimmable
controllable with Azenco
remote & App Control



05

SENSORS

OPTIONS	MAXIMUM
PHOTOCELL SENSOR	1 per remote control